



Cold Spring Harbor Perspectives in Biology

Small Self-cleaving Ribozymes

Adrian R. Ferré-D'Amaré and William G. Scott

Cold Spring Harb Perspect Biol 2010; doi: 10.1101/cshperspect.a003574 originally published online September 15, 2010

Subject Collection

For additional articles in this collection, see <http://cshperspectives.cshlp.org/cgi/collection/>

Small Self-cleaving Ribozymes

Adrian R. Ferré-D'Amaré¹ and William G. Scott²

¹Howard Hughes Medical Institute and Division of Basic Sciences, Fred Hutchinson Cancer Research Center, Seattle, Washington 98109-1024

²The Center for the Molecular Biology of RNA and The Department of Chemistry and Biochemistry, University of California, Santa Cruz, Santa Cruz, California 95064

Correspondence: aferre@fhcrc.org and wgscott@ucsc.edu

SUMMARY

The hammerhead, hairpin, hepatitis delta virus (HDV), Varkud Satellite (VS), and *glmS* ribozymes catalyze sequence-specific intramolecular cleavage of RNA. They range between 50 and 150 nucleotides in length, and are known as the “small self-cleaving ribozymes.” Except for the *glmS* ribozyme that functions as a riboswitch in Gram-positive bacteria, they were originally discovered as domains of satellite RNAs. However, recent studies show that several of them are broadly distributed in genomes of organisms from many phyla. Each of these ribozymes has a unique overall architecture and active site organization. Crystal structures have revealed how RNA active sites can bind preferentially to the transition state of a reaction, whereas mechanistic studies have shown that nucleobases can efficiently perform general acid–base and electrostatic catalysis. This versatility explains the abundance of ribozymes in contemporary organisms and also supports a role for catalytic RNAs early in evolution.

Outline

- 1 Introduction
 - 2 The internal transesterification reaction and its catalysis
 - 3 Overall structures of self-cleaving ribozymes
 - 4 Active site structures and catalytic mechanisms
 - 5 The hairpin ribozyme: Analogy to RNase A
 - 6 The hammerhead ribozyme: Variation on a theme
 - 7 The *glmS* ribozyme: Co-opting a cofactor
 - 8 The HDV ribozyme: Nucleobase and metal-ion catalysis
 - 9 How widespread are the self-cleaving ribozymes?
 - 10 Concluding remarks
- References

Editors: John F. Atkins, Raymond F. Gesteland, and Thomas R. Cech
Additional Perspectives on RNA Worlds available at www.cshperspectives.org

Copyright © 2010 Cold Spring Harbor Laboratory Press; all rights reserved; doi: 10.1101/cshperspect.a003574
Cite this article as *Cold Spring Harb Perspect Biol* 2010;2:a003574

1 INTRODUCTION

Sequence-specific cleavage and ligation are fundamental nucleic acid reactions. Five ribozymes that catalyze them are known from present-day organisms: the hammerhead (Prody et al. 1986), hairpin (Buzayan et al. 1986a), hepatitis delta virus (HDV) (Sharmeen et al. 1988), Varkud satellite (VS) (Saville and Collins, 1990), and *glmS* (Winkler et al. 2004) ribozymes. In nature, these small, self-cleaving ribozymes catalyze intramolecular reactions. Although the evolutionary origin of these ribozymes is unknown, they have been central to our understanding of the structural, biochemical, and biological versatility of RNA, and thus to the epistemological construction of the RNA World hypothesis. They provided the first high-resolution glimpses of RNA catalysts (Pley et al. 1994; Scott et al. 1995), and have yielded the most detailed structural descriptions of ribozyme-catalyzed chemical reactions (Chi et al. 2008; Klein et al. 2007a; Rupert et al. 2002). The five ribozymes each possess unique folds and active sites, enabling comparison of structurally distinct RNAs that catalyze the same chemical reaction. These studies led to a paradigm shift from the view that all ribozymes are metalloenzymes (Pyle, 1993) to one in which RNA plays a direct role in chemical catalysis (Bevilacqua and Yajima, 2006; Murray et al. 1998). Discovery (Winkler et al. 2004) and characterization (Klein and Ferré-D'Amaré, 2006) of the *glmS* ribozyme revealed the first natural ribozyme with a coenzyme. Finally, genomic sequencing and analysis are revealing that ribozymes are far more widespread in nature than originally thought (Martick et al. 2008; Salehi-Ashtiani and

Szostak, 2001; Webb et al. 2009; Winkler et al. 2004). This article reviews mechanistic insights derived from the study of the small self-cleaving RNAs, whose importance to ribozyme enzymology is analogous to that of serine proteases, lysozyme, and RNase A to protein enzymology.

2 THE INTERNAL TRANSESTERIFICATION REACTION AND ITS CATALYSIS

RNA undergoes nonspecific base-catalyzed degradation through an internal transesterification reaction wherein the 2'-O of a ribose attacks the adjacent 3' phosphate; cleavage products have a 2',3'-cyclic phosphate and a 5'-OH, respectively (Fig. 1). This reaction is catalyzed by deprotonation of the 2'-OH; hence, its acceleration with increasing pH. The five ribozymes discussed in this article employ the same chemical mechanism, but are highly sequence-specific. RNase A catalyzes RNA cleavage through the same reaction, thus providing a frame of reference. (Unlike the ribozymes, the protein enzyme hydrolyzes the cyclic phosphate in a subsequent step.) Although RNase A shows only modest sequence specificity, it achieves a rate enhancement of $\sim 10^{11}$ over the uncatalyzed reaction. The principal factors responsible are schematized in Figure 2 (Raines 1998). Like all enzymes, RNase A overcomes the entropic and steric penalties of bringing the reactants into the active site in a productive conformation through binding energy. The transesterification reaction proceeds through a concerted S_N2 -like mechanism wherein the 2' ribose oxygen, the phosphorus, and the 5' ribose oxygen are aligned. Richards

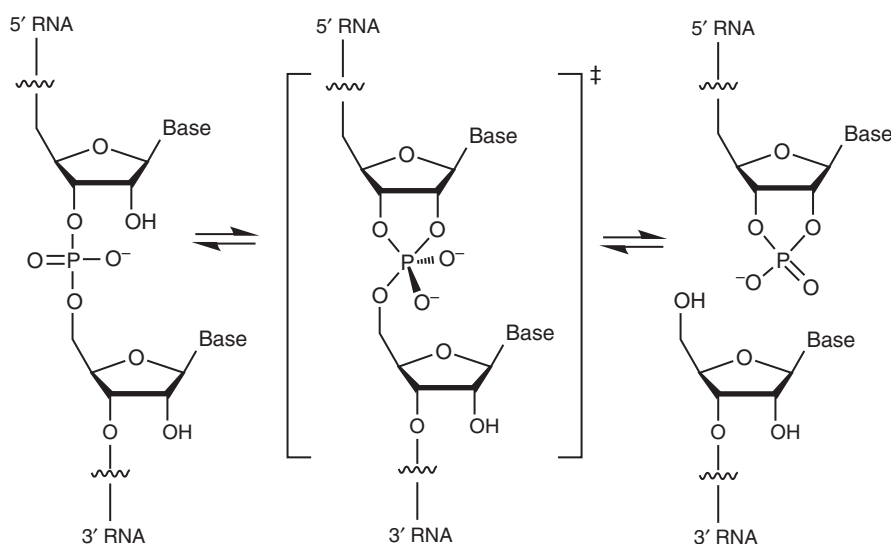


Figure 1. Internal transesterification reaction catalyzed by the hammerhead, hairpin, HDV, VS, and *glmS* ribozymes. The concerted cleavage reaction proceeds without intermediates. The hammerhead, hairpin, and VS ribozymes also catalyze the ligation reaction.

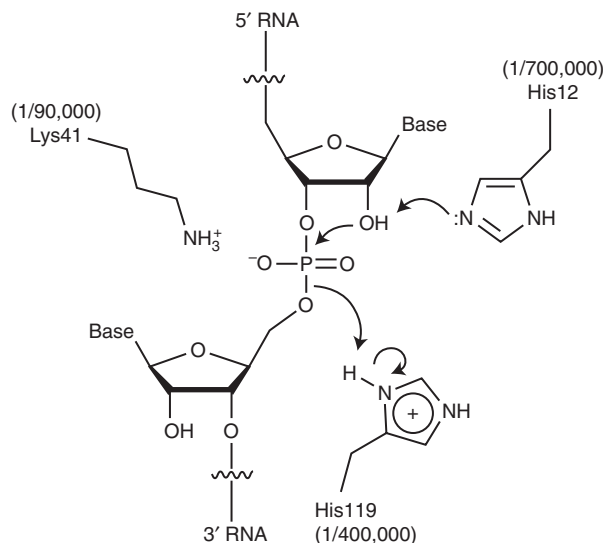


Figure 2. RNase A active site structure and catalytic mechanism. The degree of impairment resulting from site-directed mutations of the catalytic residues (Raines 1998) is indicated in parentheses.

et al. (1971) determined the structure of the enzyme bound to a dinucleotide mimic inhibitor and discovered that RNase A splays apart the nucleotides flanking the scissile phosphate to achieve alignment. The structure revealed the location of two catalytic histidines and one lysine. His12 functions as a general base catalyst, deprotonating the 2'-OH, and His114 functions as a general acid, protonating the 5'-oxo leaving group. The reaction proceeds through a trigonal bipyramidal oxyphosphorane transition-state whose excess negative charge is stabilized by the ammonium group of Lys41. Mutating these catalytic amino acids greatly impairs RNase A (Fig. 2).

3 OVERALL STRUCTURES OF SELF-CLEAVING RIBOZYMES

How is an enzyme active site constructed entirely of RNA? Crystal structures of the hairpin, hammerhead, HDV and *glmS* ribozymes reveal four unique answers (Fig. 3). Each positions the substrate inside an active-site cleft, surrounding it with nucleotides distant in primary sequence. Ribozymes are similar to protein enzymes in that the need to converge multiple functional groups from different parts of the nucleic acid at the active site places a lower bound on their length (for a first-principles discussion about proteins, see de Gennes 1990). RNA is primarily helical; active site formation requires a multi-helical fold, either head-to-tail (coaxial) (Quigley and Rich 1976), or side-by-side. The prevalence of the latter fold is counterintuitive, as it brings the negatively charged backbones of helices into close apposition (Murthy and Rose 2000). Like other structured

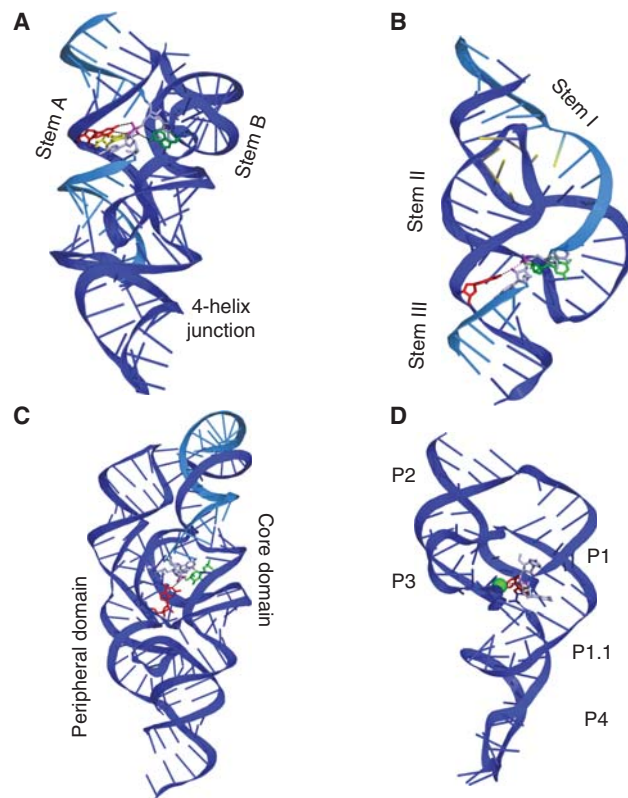


Figure 3. Cartoon representations of the overall structures of four self-cleaving ribozymes. (A) The hairpin ribozyme, (B) the hammerhead ribozyme, (C) the *glmS* ribozyme-riboswitch, and (D) the hepatitis delta virus (HDV) ribozyme. Residues implicated in general acid and base catalysis in the cleavage reaction are green and red, respectively. The scissile phosphate and nucleophilic 2'-O atoms are magenta, flanked by substrate residues shown in light blue.

RNAs, the architecture of self-cleaving ribozymes consists of multihelical junctions, interactions of nonhelical elements (helix-terminal loops and internal bulges), and pseudoknotting.

Multihelical junctions organize the hammerhead, hairpin, and VS ribozymes. The active site of the hairpin ribozyme is formed by apposition of the minor grooves of two irregular helices (stems A and B) (Rupert and Ferré-D'Amaré 2001). One of the strands of stem A carries the scissile phosphate. Although these two helices suffice for activity *in vitro* (Butcher et al. 1995; Shin et al. 1996), in the natural genomic context of the hairpin ribozyme, they are joined by a four-helix junction that stabilizes the active structure (Murchie et al. 1998) (Fig. 3A). The hammerhead ribozyme is comprised of three helices (stems I, II, and III) arranged into an approximate “ γ ” shape, with stems II and III stacking coaxially, and stem I packing against stem II (Martick and Scott 2006). In addition to the junction, interactions of nonhelical elements at the tip of stem II and the distal portion of stem I are critical



for organizing the RNA (Fig. 3B). The substrate strand is part of stem I, and the active site lies at the three-helix junction (Haseloff and Gerlach 1989; Ruffner et al. 1990; Symons 1997; Uhlenbeck 1987). No crystal structure is available for the VS ribozyme. Modeling based on biochemistry and small-angle-X ray scattering indicates that it is comprised of two three-helix junctions and that it is also stabilized by a long-range interaction between two loops (Lilley 2004). The hammerhead, hairpin and VS ribozymes share the manner in which they bind their substrate. All three have sequence elements that form canonical base pairs with nucleotides on either side of the scissile phosphate on the substrate strand (although not with nucleotides immediately adjacent to the cleavage site). As a result, the substrate is bound as part of an irregular helix that docks with the rest of the ribozyme to form the active molecule. An important consequence of this mode of substrate binding is that after cleavage, both of the product RNA strands may remain bound by the ribozyme (as each forms a short A-form helix with parts of the ribozyme), so that depending on the conditions, these ribozymes can efficiently catalyze the ligation of substrates containing the correct functional groups (a 2',3'-cyclic phosphate and a 5'-OH) on their termini (Blount and Uhlenbeck 2002; Canny et al. 2007; Fedor 1999; Jones et al. 2001; Saville and Collins 1991).

Pseudoknots organize the structures of the HDV and *glmS* ribozymes. A pseudoknot is a nucleic acid structure formed by nucleotides in the loop of a stem-loop base pairing with nucleotides outside of the stem-loop (Pleij 1990). The HDV ribozyme has five helices (P1–P4 and P1.1) connected as a nested double pseudoknot (Ferré-D'Amaré et al. 1998; Perrotta and Been 1991). The intricate connectivity of the RNA chain allows this compact (minimal forms are ~60 nt) and remarkably stable (it remains active in 5M urea) ribozyme to pack two helices stably side-by-side to form the active site (Fig. 3D). The core of the *glmS* ribozyme is also a nested double pseudoknot (Klein and Ferré-D'Amaré 2006). In addition, this larger ribozyme (~150 nt) has a peripheral domain that itself contains a pseudoknot. This peripheral domain packs against one of the sides of the core double pseudoknot (Fig. 3C). The HDV and *glmS* ribozymes position their substrates similarly. Unlike the hammerhead, hairpin, and VS ribozymes, these two ribozymes only base pair with the segment 3' of the scissile phosphate of their substrates. There are a few non-Watson-Crick interactions between the nucleotide immediately 5' of the scissile phosphate and the ribozyme core, but no helix is formed between the ribozyme and substrate nucleotides further 5'. As a result, product dissociation occurs readily. Hence, as with RNase A, neither HDV nor *glmS* ribozymes can relegate cleaved RNA.

4 ACTIVE SITE STRUCTURES AND CATALYTIC MECHANISMS

Unlike proteins, RNA has no functional groups that are positively charged at neutral pH. The groups with pKa's closest to neutrality are the N1 nitrogens of purines (3.5 and 9.2 for A and G, respectively) and the N3 nitrogens of pyrimidines (4.2 and 9.2 for C and U, respectively). As a polyanion, however, RNA binds cations. In principle, these can function not only as electrostatic catalysts that stabilize negative charges (analogous to Lys41 of RNase A) (Fig. 2), but also as either Lewis acids that perturb the pKa of RNA functional groups bound to them, or as Brønsted acids that exist as hydrates in solution, lowering the pKa of the cation-coordinated waters. Thus, in addition to providing a localized positive charge, tightly bound cations might assist in catalysis by providing hydroxide or hydronium ions to function as reactants or specific base/acid catalysts. Because the Group I intron has been shown to employ tightly bound Mg²⁺ ions for electrostatic transition-state stabilization and as Lewis acids, it was widely believed that all catalytic RNAs would employ bound metal ions as cofactors (reviewed in Pyle 1993). In all but one of the ribozymes considered here, that assumption proved unnecessary.

5 THE HAIRPIN RIBOZYME: ANALOGY TO RNase A

The hairpin ribozyme was the first self-cleaving ribozyme for which strong evidence was gathered against direct participation of divalent metal ions in catalysis. Like all highly structured RNAs, this ribozyme requires divalent cations for folding under physiological conditions. However, it was found that the hairpin ribozyme remains fully active if magnesium ion is replaced entirely with cobalt (III) hexammine (Hampel and Cowan 1997; Nesbitt et al. 1997; Young et al. 1997). Co(NH₃)₆³⁺ is isosteric with Mg(H₂O)₆²⁺, but unlike the water ligands of Mg²⁺, the amino ligands cannot readily dissociate; therefore, the metal ion cannot chemically participate in catalysis, nor can its ligands be replaced by RNA functional groups to form direct cation–RNA coordinations. Thus, the full activity of the hairpin ribozyme in Co(NH₃)₆³⁺ in the absence of Mg²⁺ implies that the RNA, rather than acting as a scaffold for binding divalent cations, must itself instead be directly participating in catalysis. The structure of the ribozyme unambiguously corroborated this prediction.

The structure of the hairpin ribozyme was determined in uncleaved, intermediate, and cleaved states. An uncleavable substrate analog was used to obtain the initial-state structure, and an RNA-vanadate complex to mimic

the intermediate or transition-state (Rupert and Ferré-D'Amaré 2001; Rupert et al. 2002). The hairpin ribozyme active site possesses some striking similarities to that of RNase A. As in the protein, the substrate nucleotides flanking the scissile phosphate are splayed apart. The nucleotide preceding the scissile phosphate forms a noncanonical pair within stem A, whereas the nucleotide that follows it flips out of stem A and base pairs with an unpaired nucleotide in stem B. This has the effect of bringing the three reactive atoms into a near-in-line conformation (Fig. 4A). Two conserved and functionally important purines, G8 and A38, are positioned on either side of the scissile phosphate, in locations analogous to those of the catalytic histidines of RNase A. Another conserved nucleobase, A9, lies in a position analogous to that of Lys41.

The hairpin ribozyme transition-state analog structure implicates G8 and A39 as the general base and general acid, respectively, in the cleavage reaction (their roles would be reversed in the ligation reaction). It also indicates that the exocyclic amines of A9 and A38 play a role analogous to the amine of Lys41 in electrostatic transition-state stabilization. Modeling of the pH-dependence of the hairpin ribozyme reaction, and comparison of it to that of the RNase A reaction, not only corroborates this assessment but permits assignment of slightly perturbed pKa values to the general base and general acid of 9.0 and 5.0, respectively (Bevilacqua 2003), consistent with their identification in the crystal structures as a G and an A (but also see Liu et al. 2009). Hence the hairpin ribozyme structure, in a manner consistent with the observed biochemistry, revealed that the RNA

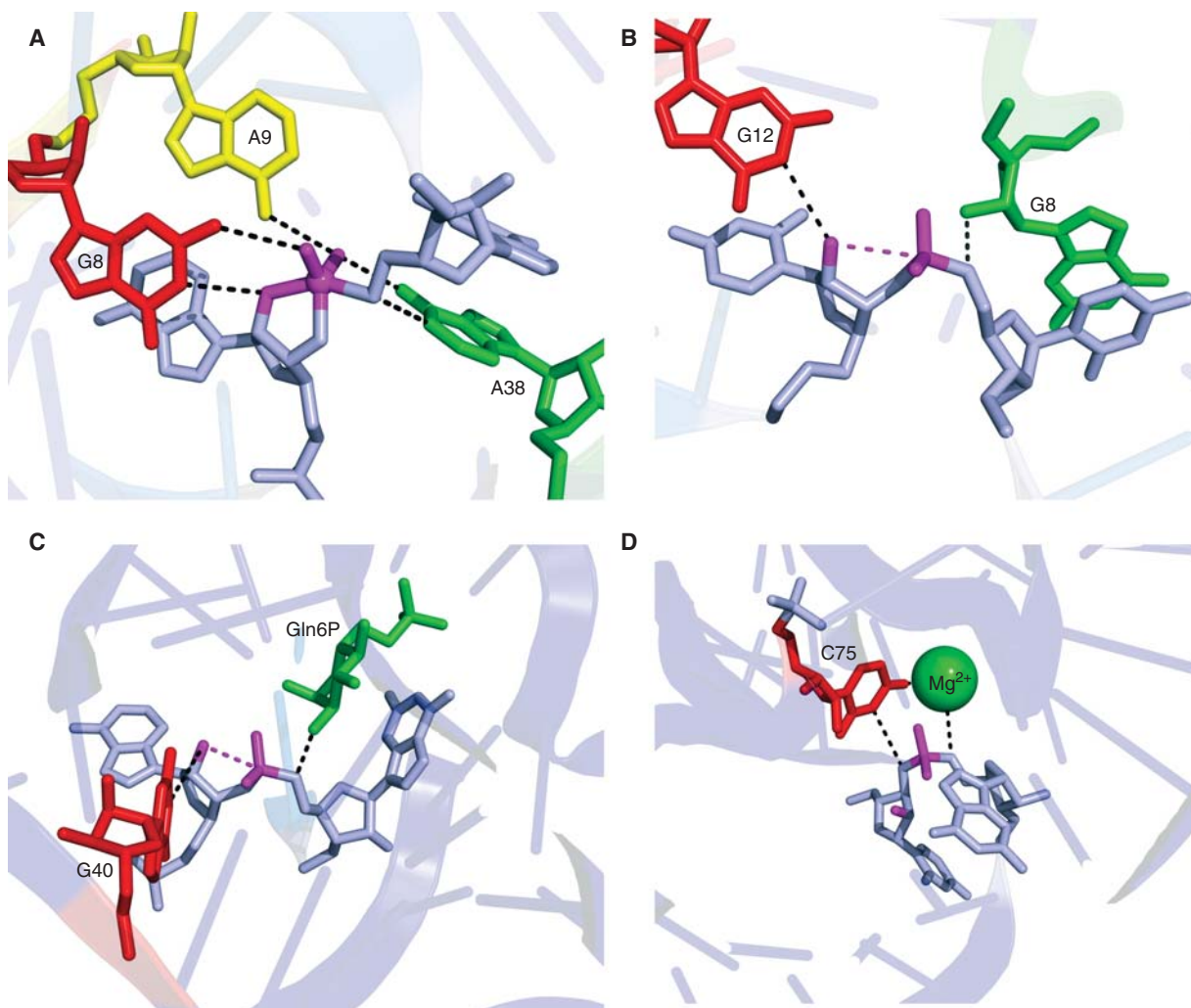


Figure 4. Active sites of the (A) hairpin, (B) hammerhead, (C) *glmS*, and (D) HDV ribozymes color-coding as in Figure 3. The moieties thought to contribute to catalysis are labeled.

itself possesses the necessary structural and chemical capacity to catalyze acid-base phosphodiester chemistry.

6 THE HAMMERHEAD RIBOZYME: VARIATION ON A THEME

Although the hammerhead has long been the prototype ribozyme and was the first catalytic RNA whose structure was determined, its history has been fraught with experimental discord (Blount and Uhlenbeck 2005). Between its discovery (Prody et al. 1986) and 2003, most attention was focused on fifteen near-invariant nucleotides at the three-helix junction core of a “minimal” hammerhead (Blount and Uhlenbeck 2005; McKay 1996; Scott 1999; Wedekind and McKay 1998). The crystal structures revealed an active site that offered no clear explanation for the invariance of many of the core residues (McKay 1996). The hammerhead ribozyme was originally thought to be a metalloenzyme. Although no obvious mechanism was suggested by metal ions present in the crystal structures of the minimal hammerhead ribozyme, divalent cations were still considered to be the most likely acid/base catalytic components. In 1998, it was shown that the hammerhead, hairpin, and VS ribozymes, unlike the HDV ribozyme, did not require divalent metal ions for catalysis, but instead were catalytically proficient in high concentrations of monovalent cations, including the nonmetallic ammonium ion (Murray et al. 1998). In other words, folding and charge stabilization were sufficient to support catalytic activity of these ribozymes.

In 2003, two groups revealed that “full-length” hammerhead ribozymes derived from natural sequences, which included a previously neglected tertiary contact between helices I and II in a region with little sequence conservation, were up to 1000-fold more active than minimal hammerheads (De la Peña et al. 2003; Khvorova et al. 2003). Subsequent crystal structures of precleavage and postcleavage full-length hammerhead ribozymes that include these tertiary contacts revealed a much more informative active site that is both reminiscent of the hairpin ribozyme active site and intriguingly different (Chi et al. 2008; Martick and Scott 2006).

Crystal structures of full-length hammerhead ribozymes revealed an arrangement of residues in the active site that makes their participation in catalysis clear (Fig. 4B). The invariant G12 hydrogen-bonds to the nucleophilic 2'-O; this conserved guanine is likely the general base in the self-cleavage reaction. A hydrogen bond between the 2'-OH of a second invariant nucleotide, G8, and the 5'-oxo leaving group was also identified. This implicates the 2'-OH of the ribose of G8 as a general acid catalyst. (The requirement for G at position 8 is due to a

Watson-Crick tertiary base pair it forms with the equally invariant C3.) In addition, the crystal structure of a very slowly cleaving G12A hammerhead (whose core structure is essentially identical but whose purine general base has a pKa lowered by ~5 units) revealed, in the product structure, a potential additional interaction between A9 and the scissile phosphate, reminiscent of the coincidentally named A9 of the hairpin ribozyme. However, whether A9 or another entity engages in transition-state stabilization in the hammerhead ribozyme remains speculative.

7 THE *glmS* RIBOZYME: CO-OPTING A COFACTOR

This ribozyme was discovered as an RNA domain that catalyzes site-specific RNA cleavage in the presence of the small-molecule metabolite glucosamine-6-phosphate (GlcN6P) (Winkler et al. 2004). In the absence of GlcN6P, the rate of cleavage of the ribozyme is indistinguishable from that of background hydrolysis. Addition of GlcN6P results in as much as 10^7 -fold increase of reactivity at the specific cleavage site. The *glmS* ribozyme is not a metalloenzyme, because it is fully active with $\text{Co}(\text{NH}_3)_6^{3+}$ (Roth et al. 2006). In principle, GlcN6P could function either as an allosteric activator or as a coenzyme. The structure reveals that the N1 of the conserved nucleotide G40 lies close to the 2'-OH nucleophile, well positioned to serve as a general base. GlcN6P binds on the opposite side of the scissile phosphate, with its amine group in van der Waals contact with the 5'-O leaving group, an arrangement compatible with its function as a general acid (Fig. 4C). If GlcN6P binds to the ribozyme in its protonated (ammonium) form, a positive charge would lie adjacent to the scissile phosphate, where it could stabilize the transition state. Therefore, the structure of the active site of the *glmS* ribozyme is consistent with a coenzyme function for GlcN6P. Moreover, structures of the *glmS* ribozyme in different states (precleavage, precleavage bound to GlcN6P, transition-state mimic, postcleavage) do not show any evidence of conformational change of the RNA resulting from GlcN6P binding (Klein and Ferré-D'Amaré 2006; Klein et al. 2007b).

A remarkable feature of the *glmS* ribozyme is the absolute requirement for both G40 and GlcN6P for catalytic activity. The ribozyme is inactive in the absence of GlcN6P, but is also inactive in the presence of GlcN6P if a G40A mutation is introduced into the ribozyme. Structure determination shows that the mutant adopts the wild-type conformation, and that GlcN6P binds in precisely the same location as to the wild-type (Klein et al. 2007a). Thus, lack of activity of the G40A mutant is not caused by misfolding. The strict requirement for both catalytic



functional groups contrasts with the behavior of other enzymes. For instance, site-directed mutation of either catalytic histidine of RNase A to alanine results in an enzyme that is still active, although impaired by 400,000 to 700,000-fold (Raines 1998). Analogously, abasic substitutions of the three catalytic purines in the active site of the hairpin ribozyme results in 9350- and 14,000-fold loss in activity (for A9, G8, and A38, respectively) but each mutant retains activity (Kuzmin et al. 2005; Lebruska et al. 2002). The simultaneous requirement for G40 and GlcN6P by the *glmS* ribozyme implies that the active-site guanine and the small molecule coenzyme mutually tune each other's chemical properties such that neither is catalytically proficient in the absence of the other.

8 THE HDV RIBOZYME: NUCLEOBASE AND METAL-ION CATALYSIS

Of the five known self-cleaving ribozymes, the HDV ribozyme is the only one that employs an active-site divalent cation for catalysis. Ironically, this was also the first ribozyme for which compelling evidence for nucleobase participation in catalysis was gathered. Structure determination of the postcleavage form of the HDV ribozyme revealed that the N3 imine of the functionally essential residue C75 (C76 in the antigenomic HDV ribozyme) hydrogen bonds to the 5'-OH leaving group of the reaction. In addition, C75 was found in a region of strongly negative electrostatic potential. These observations suggested that C75 may have an altered pKa, and function as a general acid/base catalyst (Ferré-D'Amaré et al. 1998). This was reinforced by several observations, including the rescue of a C75U mutant by exogenous imidazole, and the shift of the reaction pKa in C76A mutant that matches the difference in pKa between C and A (Perrotta et al. 1999). Kinetic experiments cannot distinguish between general acid and general base functions for C75/76. Strong evidence for the former comes from Das and Piccirilli (2005), who synthesized chemically modified HDV ribozymes in which the leaving group oxygen of the reaction was replaced with a sulfur. These RNAs were expected lose their dependence on C75 if the role of this nucleobase was to protonate the leaving group (stabilizing it), but not if C75 functions as a general base, deprotonating the 2'-OH. Kinetic characterization revealed that the sulfur substitution limits the need for C75. The most definitive evidence for divalent cation participation in HDV ribozyme catalysis comes from kinetic analysis, and from the inactivity of the ribozyme in the presence of $\text{Co}(\text{NH}_3)_6^{3+}$ (Nakano et al. 2000). Thus, in the active site of the HDV ribozyme, a magnesium ion-activated water molecule functions as a general base, and the N3 imine of C75 serves as a general acid (Fig. 4D).

9 HOW WIDESPREAD ARE THE SELF-CLEAVING RIBOZYMES?

The hammerhead and hairpin ribozymes were discovered embedded within the sense and antisense strands, respectively, of the satellite RNA of tobacco ringspot virus (Buzayan et al. 1986b; Prody et al. 1986), and subsequently in other plant satellite virus RNAs and viroids. These virus-like RNAs are single-stranded, covalently closed circular molecules that are replicated via the rolling-circle mechanism (Fig. 5). The ribozyme domains occur at the interface of two monomeric segments of a concatamer, and catalyze the self-cleavage and self-ligation of the genomic and antigenomic RNA segments. Two variants of the HDV ribozyme were subsequently discovered in the sense and antisense strands of HDV, a single-stranded circular RNA virus that is a satellite of the hepatitis B (DNA) virus and a human pathogen. HDV also replicates by the rolling-circle mechanism, and the ribozymes are responsible for generating unit-length genomes. The VS ribozyme was discovered as part of an abundant mitochondrial RNA of natural isolates of *Neurospora*. The RNA is encoded by a retroplasmid, and the function of the ribozyme is to process into unit length molecules the RNA concatamers that

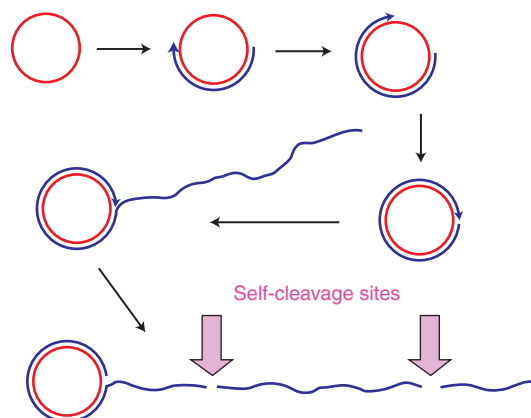


Figure 5. Rolling-circle replication of satellite RNAs. Single-stranded covalently closed circles of sense (or genomic) RNA (red circle) are replicated by an RNA polymerase of the host, which transcribes processively, generating a linear multimeric concatamer (blue) that is complementary to the monomeric satellite RNA sense-strand. The multimeric complementary copy is then cleaved into monomeric fragments, and these antigenomic RNAs circularize to produce templates for the second half of the replicative cycle, in which copies of the genomic sense strand are ultimately produced. The cleavage and ligation sites are often comprised of conserved ribozyme sequences that catalyze both phosphodiester bond cleavage and, in the case of circularization of the monomeric fragments, phosphodiester bond ligation. In the case of the satellite RNA of tobacco ringspot virus, the cleavage site in the sense strand is a hammerhead ribozyme, and that in the antisense strand is the hairpin ribozyme. HDV ribozyme sequences are present in both the sense and antisense strands of HDV.

result from transcription of the plasmid (Collins 2002). Because the biological contexts of the hammerhead, hairpin, HDV, and VS ribozymes are very similar, it was thought that self-cleaving ribozymes would be restricted to this specialized evolutionary niche.

Hints that these ribozymes might be more widespread in nature began to emerge in the 1990s. Circularizing RNA transcripts of repetitive satellite “junk” DNAs from newt (Epstein and Pabon-Pena 1991) and *Schistosoma* (Ferbeyre et al. 2000) were found to contain hammerhead ribozymes; the latter were found to be exceptionally active. Although genomic scans for known hammerhead sequences aided in discovery of the *Schistosoma* hammerhead (Bourdeau et al. 1999; Ferbeyre et al. 1998), it turned out that the search criteria were too restrictive. If the implicit requirement that the hammerhead ribozyme sequence be continuous is relaxed, a whole set of discontinuous ribozymes that closely resemble the *Schistosoma* sequence can be found in the 3'-UTRs of mature mRNAs that code for the clec2 family of proteins in mammals ranging from platypus to mice (Martick et al. 2008). These hammerhead ribozymes are located immediately downstream from the stop codon, are quite active, and capable of deactivating translation in vivo. These findings suggested self-cleaving RNAs that regulate gene expression may be widespread in the genomes of free-living organisms. Moreover, in vitro selection experiments revealed that the minimal hammerhead ribozyme commonly arises, suggesting it might have evolved multiple times independently (Salehi-Ashtiani and Szostak 2001).

The *glmS* ribozyme was discovered through a bioinformatic search for riboswitches in bacterial genomes (Barrick et al. 2004). Riboswitches, which are not typically catalytic, are gene-regulatory RNAs that bind small molecules and modulate the expression of mRNAs of which they are part (see Breaker 2010 and Garst et al. 2010). The *glmS* ribozyme-riboswitch is present in the 5'-UTRs of mRNAs that encode the essential enzyme GlcN6P synthase in Gram-positive bacteria. The 5' termini of mRNAs are capped by a triphosphate in Gram-positive bacteria. GlcN6P-activated self-cleavage of the ribozyme domain exposes a 5'-OH, and this recruits an RNase protein that degrades the ribozyme-cleaved mRNA. Because GlcN6P synthase is an unstable protein, degradation of the mRNA completes a negative feedback loop that modulates intracellular GlcN6P concentration (Collins et al. 2007). The *glmS* ribozyme is widespread in Gram-positive bacteria, including important human pathogens. It is at present unknown in Gram-negative bacteria, archaea or Eukarya.

The most recent expansion of the known range of self-cleaving ribozymes comes from searches for HDV-like ribozymes. Salehi-Ashtiani et al. (2006) discovered several self-cleaving RNAs in the human genome through in vitro

selection. One of these is conserved throughout mammals in an intron of the *CPEB3* gene. This ribozyme is closely related to the HDV ribozyme. When Lupták and coworkers performed bioinformatic searches for additional HDV/*CPEB3* ribozymes using a structure-based template, they discovered variants of the ribozymes scattered throughout phylogeny, in viruses, bacteria, protists, plants, fungi, and animal phyla including platyhelminths, nematodes, molluscs, insects, echinoderms, cephalochordates, and fish (Webb et al. 2009). All these RNAs preserve the core structure and catalytic elements of the HDV ribozyme, and many are active in vitro and in vivo. An HDV-like ribozyme from was found to be differentially active in different developmental stages of the African mosquito *Anopheles gambiae*. HDV-like ribozymes occur in dozens of loci in several organisms. However, the genomic location and numbers of ribozymes vary greatly in sister species. Perhaps related to this is that the cleavage sites of several of them occur at the 5' termini of transposable elements. Although it is too early to draw conclusions about the origins of these RNAs, it is clear now that self-cleaving ribozymes are common elements of genomes throughout the biosphere.

10 CONCLUDING REMARKS

The study of the small self-cleaving ribozymes has revealed that remarkably small RNA units can achieve high sequence specificity and catalytic efficiency. The information content required for activity is even lower than indicated by the length of the ribozymes, because the only requirement for some tracts of their sequences is that A-form double helices be able to form. That is, the composition of many of the helical segments of small ribozymes has little effect on catalytic activity. Thus, RNAs capable of biochemical catalysis are likely to be quite common in sequence space, and even a modest repertory of RNAs of random sequence present at the outset of the RNA world may have contained ribozymes. This conclusion is supported by in vitro selection experiments (e.g., Salehi-Ashtiani and Szostak 2001). In addition, the limited sequence requirements of ribozymes would have been important for primordial RNA organisms whose replicative polymerases may have been error-prone (see Robertson and Joyce 2010). In vitro selection experiments also show that small ribozymes can catalyze a broad range of biochemical transformations (reviewed in Wilson and Szostak 1999), as would have been required in the RNA world if ribozymes were responsible for all biochemical catalysis. Thus far, however, all compact ribozymes known from nature catalyze the same overall transformation, RNA cleavage by internal transesterification. At this point in time, it is unclear if this indicates that small ribozymes that catalyze

other reactions remain to be discovered in present-day organisms, or that ribozymes with other biochemical functions have become extinct.

If the advent of biochemical catalysis predates the transition from an RNA world to one in which protein enzymes play the predominant role, it is fair to ask what forms of catalysis might be of such a fundamental nature as to be shared by both RNA and protein enzymes. Metal-ion assisted catalysis and general acid–base catalysis both emerge as contenders for this distinction. Group I and Group II self-splicing introns (see Lambowitz and Zimmerly 2010) share with protein enzymes that polymerize nucleic acids the use of catalytic Mg^{2+} ions (Steitz and Steitz 1993). On the other hand, the similar general acid–base catalytic strategies, employed by the small self-cleaving RNAs and analogous protein enzymes, such as RNase A, are a recurring theme. What is remarkable, in the context of small self-cleaving ribozymes, is the variation within shared catalytic strategies. The hairpin ribozyme is perhaps the most RNase A-like, in that purines play roles analogous to both catalytic histidines of the protein, and both the RNA and the protein employ amine groups to aid in transition-state stabilization. Nonetheless, this is clearly not the only way, and the variability of the acid catalyst in particular indicates a remarkable ability for evolution to fine-tune a ribozyme's catalytic strategy to meet what are presumably different selective pressures. The accelerating pace of discovery of self-cleaving ribozymes in the genomes of contemporary free-living organisms indicates that far from being molecular living fossils, these RNAs are active players in nucleic acid metabolism. Perhaps this is less surprising now, in light of the catalytic versatility of RNA revealed by the study of self-cleaving ribozymes.

ACKNOWLEDGMENTS

The authors dedicate this review to the memory of Frederic M. Richards (1925–2009), and gratefully acknowledge the efforts of past and present members of their research groups. Work in the authors' laboratories summarized here was funded in part by the National Institutes of Health (AI043393 to WGS and GM63576 to ARF) the W.M. Keck Foundation (ARF and WGS) and the Howard Hughes Medical Institute (ARF).

REFERENCES

- Barrick JE, Corbino KA, Winkler WC, Nahvi A, Mandal M, Collins J, Lee M, Roth A, Sudarsan N, Jona I, et al. 2004. New RNA motifs suggest an expanded scope for riboswitches in bacterial genetic control. *Proc Natl Acad Sci* **101**: 6421–6426.
- Bevilacqua PC. 2003. Mechanistic considerations for general acid-base catalysis by RNA: revisiting the mechanism of the hairpin ribozyme. *Biochemistry* **42**: 2259–2265.
- Bevilacqua PC, Yajima R. 2006. Nucleobase catalysis in ribozyme mechanism. *Current Op Chem Biol* **10**: 455–464.
- Blount KF, Uhlenbeck OC. 2002. Internal equilibrium of the hammerhead ribozyme is altered by the length of certain covalent cross-links. *Biochemistry* **41**: 6834–6841.
- Blount KF, Uhlenbeck OC. 2005. The structure-function dilemma of the hammerhead ribozyme. *Annu Rev Biophys Biomol Struct* **34**: 410–440.
- Bourdeau V, Ferbeyre G, Pageau M, Paquin B, Cedergren R. 1999. The distribution of RNA motifs in natural sequences. *Nucleic Acids Res* **27**: 4457–4467.
- Butcher SE, Heckman JE, Burke JM. 1995. Reconstitution of hairpin ribozyme activity following separation of functional domains. *J Biol Chem* **270**: 29648–29651.
- Buzayan JM, Gerlach WL, Bruening G. 1986a. Non-enzymatic cleavage and ligation of RNAs complementary to a plant virus satellite RNA. *Nature* **323**: 349–353.
- Buzayan JM, Hampel A, Bruening G. 1986b. Nucleotide sequence and newly formed phosphodiester bond of spontaneously ligated satellite tobacco ringspot virus RNA. *Nucleic Acids Res* **14**: 9729–9743.
- Breaker RR. 2010. Riboswitches and the RNA world. *Cold Spring Harb Perspect Biol* doi: 10.1101.cshperspect.a003566.
- Canny MD, Jucker FM, Pardi A. 2007. Efficient ligation of the *Schistosoma* hammerhead ribozyme. *Biochemistry* **46**: 3826–3834.
- Chi Y-I, Martick M, Lares M, Kim R, Scott WG, Kim S-H, Joyce GF. 2008. Capturing hammerhead ribozyme structures in action by modulating general base catalysis. *Plos Biol* **6**: e234.
- Collins R. 2002. The *Neurospora* varkud satellite ribozyme. *Biochem Soc Trans* **30**: 1122–1126.
- Collins JA, Irnov I, Baker S, Winkler WC. 2007. Mechanism of mRNA destabilization by the *glmS* ribozyme. *Genes Dev* **21**: 3356–3368.
- Das SR, Piccirilli JA. 2005. General acid catalysis by the hepatitis delta virus ribozyme. *Nature Chem Biol* **1**: 45–52.
- de Gennes P-G. 1990. Minimum number of aminoacids required to build up a specific receptor with a folded polypeptide chain. In *Introduction to polymer dynamics* Cambridge, Cambridge University Press, pp. 17–26.
- De la Peña M, Gago S, Flores R. 2003. Peripheral regions of natural hammerhead ribozymes greatly increase their self-cleavage activity. *EMBO J* **22**: 5561–5570.
- Epstein LM, Pabon-Pena LM. 1991. Alternative modes of self-cleavage by new satellite 2 transcripts. *Nucleic Acids Res* **19**: 1699–1705.
- Fedor MJ. 1999. Tertiary structure stabilization promotes hairpin ribozyme ligation. *Biochemistry* **38**: 11040–11050.
- Ferbeyre G, Smith JM, Cedergren R. 1998. Schitosome satellite DNA encodes active hammerhead ribozymes. *Mol Cell Biol* **18**: 3880–3888.
- Ferré-D'Amaré AR, Zhou K, Doudna JA. 1998. Crystal structure of a hepatitis delta virus ribozyme. *Nature* **395**: 567–574.
- Ferbeyre G, Bourdeau V, Pageau M, Miramontes P, Cedergren R. 2000. Distribution of hammerhead and hammerhead-like RNA motifs through the GenBank. *Genome Res* **10**: 1011–1019.
- Garst AD, Edwards AL, Batey RT. 2010. Riboswitches: structures and mechanisms. *Cold Spring Harb Perspect Biol* doi: 10.1101.cshperspect.a003533.
- Hampel A, Cowan JA. 1997. A unique mechanism for RNA catalysis: The role of metal cofactors in hairpin ribozyme cleavage. *Chem Biol* **4**: 513–517.
- Haseloff J, Gerlach WL. 1989. Sequences required for self-catalyzed cleavage of the satellite RNA of tobacco ringspot virus. *Gene* **82**: 43–52.
- Jones FD, Ryder SP, Strobel SA. 2001. An efficient ligation reaction promoted by a Varkud Satellite ribozyme with extended 5'- and 3'-termini. *Nucleic Acids Res* **29**: 5115–5120.
- Khvorova A, Lescoute A, Westhof E, Jayasena S. 2003. Sequence elements outside the hammerhead ribozyme catalytic core enable intracellular activity. *Nat Struct Biol* **10**: 708–712.
- Klein DJ, Ferré-D'Amaré AR. 2006. Structural basis of *glmS* ribozyme activation by glucosamine-6-phosphate. *Science* **313**: 1752–1756.

- Klein DJ, Been MD, Ferré-D'Amaré AR. 2007a. Essential role of an active-site guanine in *glmS* ribozyme catalysis. *J Am Chem Soc* **129**: 14858–14859.
- Klein DJ, Wilkinson SR, Been MD, Ferré-D'Amaré AR. 2007b. Requirement of helix P2.2 and nucleotide G1 for positioning of the cleavage site and cofactor of the *glmS* ribozyme. *J Mol Biol* **373**: 178–189.
- Kuzmin YI, Da Costa CP, Cottrell JW, Fedor MJ. 2005. Role of an active site adenine in hairpin ribozyme catalysis. *J Mol Biol* **349**: 989–1010.
- Lambowitz AM, Zimmerly S. 2010. Group II introns: mobile ribozymes that invade DNA. *Cold Spring Harb Perspect Biol* doi: 10.1101.cshperspect.a003616.
- Lebruska LL, Kuzmine II, Fedor MJ. 2002. Rescue of an abasic hairpin ribozyme by cationic nucleobases. Evidence for a novel mechanism of RNA catalysis. *Chem Biol* **9**: 465–473.
- Lilley DM. 2004. The Varkud satellite ribozyme. *RNA* **10**: 151–158.
- Liu L, Cottrell JW, Scott LG, Fedor MJ. 2009. Direct measurement of the ionization state of an essential guanine in the hairpin ribozyme. *Nature Chem Biol* **5**: 351–357.
- Martick M, Scott WG. 2006. Tertiary contacts distant from the active site prime a ribozyme for catalysis. *Cell* **126**: 309–320.
- Martick M, Horan LH, Noller HF, Scott WG. 2008. A discontinuous hammerhead ribozyme embedded in a mammalian messenger RNA. *Nature* **454**: 899–902.
- McKay DB. 1996. Three-dimensional structure of the hammerhead ribozyme. *Nucleic Acids Mol Biol* **10**: 161–172.
- Murchie AIH, Thomson JB, Walter F, Lilley DMJ. 1998. Folding of the hairpin ribozyme in its natural conformation achieves close physical proximity of the loops. *Mol Cell* **1**: 873–881.
- Murray JB, Seyhan AA, Walter NG, Burke JM, Scott WG. 1998. The hammerhead, hairpin and VS ribozymes are catalytically proficient in monovalent cations alone. *Chem Biol* **5**: 587–595.
- Murthy VL, Rose GD. 2000. Is counterion delocalization responsible for collapse in RNA folding. *Biochemistry* **39**: 14365–14370.
- Nakano S-I, Chadalavada DM, Bevilacqua PC. 2000. General acid-base catalysis in the mechanism of a hepatitis delta virus ribozyme. *Science* **287**: 1493–1497.
- Nesbitt S, Hegg LA, Fedor MJ. 1997. An unusual pH-independent and metal-ion independent mechanism for hairpin ribozyme catalysis. *Chem Biol* **4**: 619–630.
- Perrotta AT, Been MD. 1991. A pseudoknot-like structure required for efficient self-cleavage of hepatitis delta virus RNA. *Nature* **350**: 434–436.
- Perrotta AT, Shih I, Been MD. 1999. Imidazole rescue of a cytosine mutation in a self-cleaving ribozyme. *Science* **286**: 123–126.
- Pleij CW. 1990. Pseudoknots: A new motif in the RNA game. *Trends Biochem Sci* **15**: 143–147.
- Pley HW, Flaherty KM, McKay DB. 1994. Three-dimensional structure of a hammerhead ribozyme. *Nature* **372**: 68–74.
- Prody GA, Bakos JT, Buzayan JM, Schneider IR, Bruening G. 1986. Autolytic processing of dimeric plant virus satellite RNA. *Science* **231**: 1577–1580.
- Pyle AM. 1993. Ribozymes: A distinct class of metalloenzymes. *Science* **261**: 709–714.
- Quigley GJ, Rich A. 1976. Structural domains of transfer RNA molecules. *Science* **194**: 796–806.
- Raines RT. 1998. Ribonuclease A. *Chem Rev* **98**: 1045–1065.
- Richards FM, Wyckoff HW, Carlson WD, Allewell NM, Lee B, Mitsui Y. 1971. Protein structure, ribonuclease-S, and nucleotide interactions. *Cold Spring Harbor Symp Quant Biol* **36**: 35–43.
- Robertson MP, Joyce GE. 2010. The origins of the RNA world. *Cold Spring Harb Perspect Biol* doi: 10.1101.cshperspect.a003608.
- Roth A, Nahvi A, Lee M, Jona I, Breaker RR. 2006. Characteristics of the *glmS* ribozyme suggest only structural roles for divalent metal ions. *RNA* **12**: 607–619.
- Ruffner DE, Stormo GD, Uhlenbeck OC. 1990. Sequence requirements of the hammerhead RNA self-cleavage reaction. *Biochemistry* **29**: 10695–10702.
- Rupert PB, Ferré-D'Amaré AR. 2001. Crystal structure of a hairpin ribozyme-inhibitor complex with implications for catalysis. *Nature* **410**: 780–786.
- Rupert PB, Massey AP, Sigurdsson ST, Ferré-D'Amaré AR. 2002. Transition state stabilization by a catalytic RNA. *Science* **298**: 1421–1424.
- Salehi-Ashtiani K, Szostak JW. 2001. *In vitro* evolution suggests multiple origins for the hammerhead ribozyme. *Nature* **414**: 82–84.
- Salehi-Ashtiani K, Lupták A, Litovchick A, Szostak JW. 2006. A genome-wide search for ribozymes reveals an HDV-like sequence in the human CPEB3 gene. *Science* **313**: 1788–1792.
- Saville BJ, Collins RA. 1990. A site-specific self-cleavage reaction performed by a novel RNA in *Neurospora* mitochondria. *Cell* **61**: 685–696.
- Saville BJ, Collins RA. 1991. RNA-mediated ligation of self-cleavage products from a *Neurospora* mitochondrial plasmid transcript. *Proc Natl Acad Sci USA* **88**: 8826–8830.
- Scott WG. 1999. Biophysical and biochemical investigations of RNA catalysis in the hammerhead ribozyme. *Q Rev Biophys* **32**: 241–284.
- Scott WG, Finch JT, Klug A. 1995. The crystal structure of an all-RNA hammerhead ribozyme: A proposed mechanism for RNA catalytic cleavage. *Cell* **81**: 991–1002.
- Sharmeen L, Kuo MY-P, Dinter-Gottlieb G, Taylor J. 1988. Antigenomic RNA of human hepatitis delta virus can undergo self-cleavage. *J Virol* **62**: 2674–2679.
- Shin C, Choi JN, Song SI, Song JT, Ahn JH, Lee JS, Choi YD. 1996. The loop B domain is physically separable from the loop A domain in the hairpin ribozyme. *Nucleic Acids Res* **24**: 2685–2689.
- Steitz TA, Steitz JA. 1993. A general two-metal-ion mechanism for catalytic RNA. *Proc Natl Acad Sci* **90**: 6498–6502.
- Symons RH. 1997. Plant pathogenic RNAs and RNA catalysis. *Nucl Acids Res* **25**: 2683–2689.
- Uhlenbeck OC. 1987. A small catalytic oligoribonucleotide. *Nature* **328**: 596–600.
- Webb C-HT, Riccitelli NJ, Ruminski DJ, Lupták A. 2009. Widespread occurrence of self-cleaving ribozymes. *Science* **326**: 953.
- Wedekind JE, McKay DB. 1998. Crystallographic structures of the hammerhead ribozyme: relationship to ribozyme folding and catalysis. *Annu Rev Biophys Biomol Struct* **27**: 475–502.
- Wilson DS, Szostak JW. 1999. *In vitro* selection of functional nucleic acids. *Annu Rev Biochem* **68**: 611–647.
- Winkler WC, Nahvi A, Roth A, Collins JA, Breaker RR. 2004. Control of gene expression by a natural metabolite-responsive ribozyme. *Nature* **428**: 281–286.
- Young KJ, Gill E, Grasby JA. 1997. Metal ions play a passive role in the hairpin ribozyme catalyzed reaction. *Nucleic Acids Res* **25**: 3760–3766.